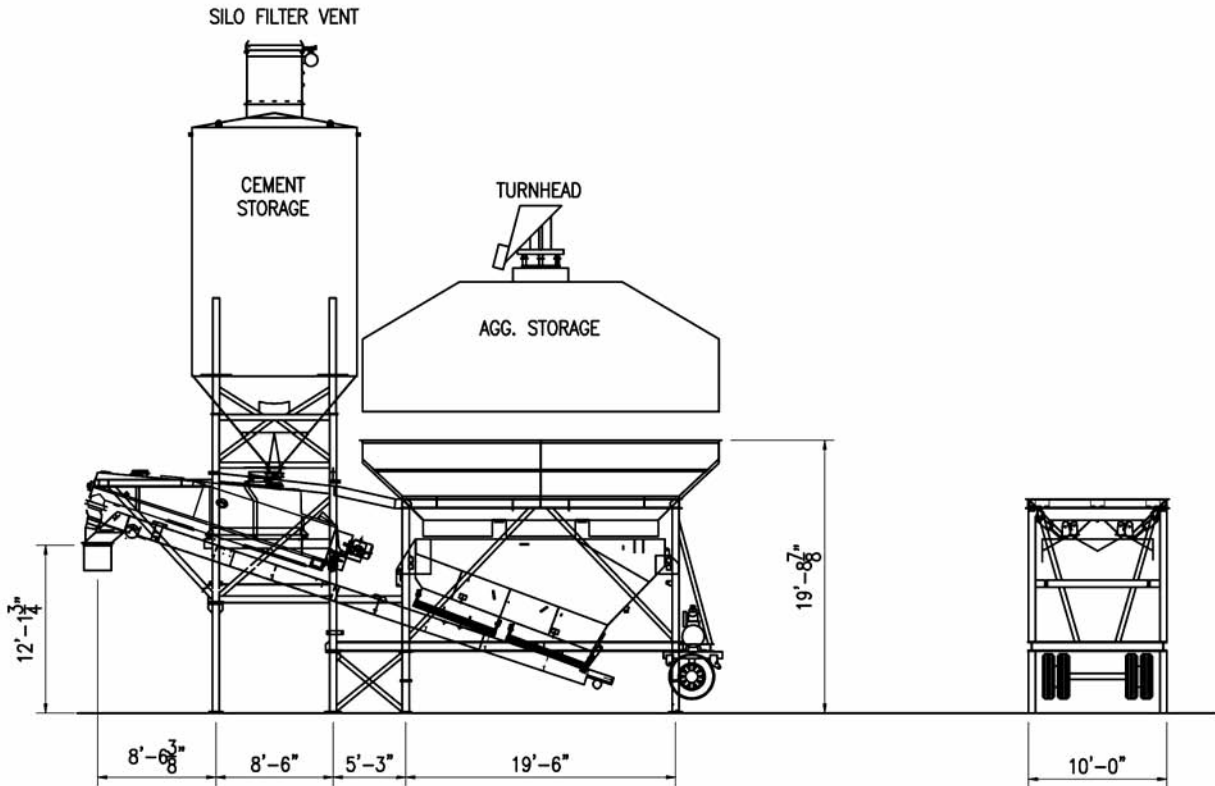


ALL-PRO 12



SPECIFICATIONS

PRODUCTION CAPACITY:

Theoretical Cycle Time — 2.5 to 3 minutes.

BATCHER CAPACITY:

Aggregate — 1 to 12 cubic yards (1 to 9.2 cubic meters)
 Cement — 1 to 12 cubic yards (1 to 9.2 cubic meters)
 Scales — Direct load cells

AGGREGATE DISCHARGE CONVEYOR:

30" wide (762 mm), 35" trough with 15 horsepower drive. Optional 36" (914 mm), 20 horsepower

CEMENT BATCHER RECIRCULATING SCREW:

14" diameter (360 mm), 15 horsepower
 Optional 18" diameter (460 mm), 20 horsepower

CEMENT AERATION:

5 horsepower, high volume, low pressure blower.

HIGH PRESURE AIR COMPRESSOR:

10 horsepower, 120 gallon (0.45 cubic meters). Optional 15, 20 or 25 horsepower, 120 gallon (0.45 cubic meters).

ELECTRICAL:

460 volt, 3-phase with 120 VAC transformer for control voltage. All motors are TEFC. All motor circuit wiring protected by individual circuit breakers. Electrical components housed in NEMA steel enclosures. Wiring in conduit.

BATCH CONTROL SYSTEM:

Semi-automatic cut-off of cement by presets on digital readouts. Push-button for electric over air on gates. Optional fully automatic computerized batch control system.

WATER METER:

3" diameter (77 mm) with up to 500 gallons (1,740 liters) per minute.

TRANSPORTATION SYSTEM:

Rear-mounted 19,000 lb. (9,090 kg) capacity single axle with four (4) 295/75R 22.5 tires, wheels, air brakes, heavy-duty spring suspension, tail and brake lights, and fifth wheel rub plate with king pin.

STORAGE BIN CAPACITIES:

AGGREGATE	HEAPED VOLUME
	60 to 160 cubic yards
	46 to 122 cubic meters
CEMENT I	GROSS VOLUME
	1,600 to 4,920 cubic feet
	45 to 139 cubic meters

DIMENSIONS: (plant only, no silo)

Towing length.....	39'0" (11,888 mm)
Towing height.....	14'4" (4,369 mm)
Towing width.....	10'0" (3,048 mm)
Empty weight, total.....	40,000 lbs. (18,144 kg)

SHIPPING DIMENSIONS: (plant only, no silo)

Length.....	46'9" (14,249 mm)
Height.....	14'4" (4,369 mm)
Width.....	10'0" (3,048 mm)
Shipping Volume.....	6,700 cubic feet (190 cubic meters)

NOTES:

In accordance with CON-E-CO's policy of constantly improving its products, the above specifications are subject to change without notice. CON-E-CO assumes no responsibility for foundation design. Consult factory for column loadings.