

A PLANT YOU CAN GROW INTO!

The LO-PRO's ultra-strong, unitized construction gives it tremendous built-in expansion capability!

Dust control systems, unitized cement silos and aggregate storage modules — all may be added to your LO-PRO with simple bolt-on erection. This gives your LO-PRO the ultimate capacity needed for a permanent installation.

And the LO-PRO's compact base size makes it perfect for enclosing where cold weather or environmental restrictions are an issue.

When you own a LO-PRO, you will never be stuck with a plant your business has outgrown.

CUSTOM ENGINEERING

Over 350 LO-PROs are in operation today — all across the nation and several foreign nations. Yet few are identical.



That's because we custom-engineer each LO-PRO to match your specific needs. Whether it be bin capacity or configuration, control panel location, even paint scheme — your LO-PRO is built

exactly to your individual specifications.

In addition, the LO-PRO is constantly updated to improve its performance and keep up with changes in the concrete industry. Innovation has made the LO-PRO the industry's top performer ... and will continue to do so in the future.

THE BEST ACTUALLY COSTS LESS

When purchasing a batch plant, it's absolutely essential to examine *all* the costs.

The LO-PRO's unique design reduces site

preparation and foundations. The unitized structure means no welding. Plumbing and wiring are already installed and factory tested, so initial setup is easier,

less costly ... and you can begin producing concrete sooner.

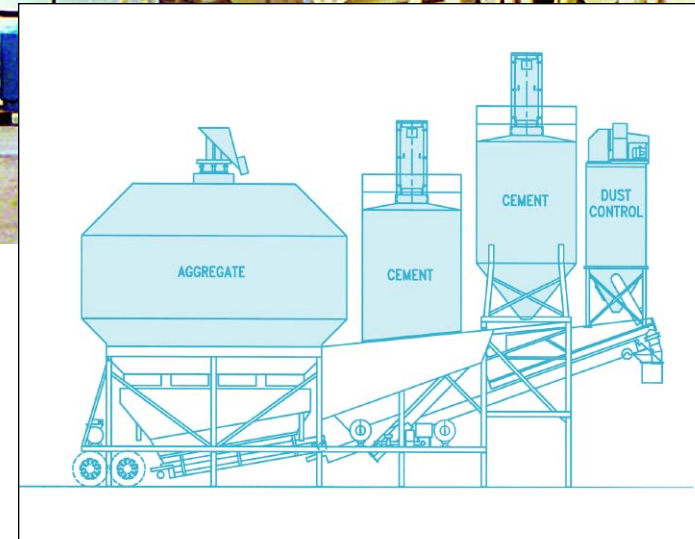
Even optional expansion bolt-on modules are simple bolt-on installation. And each plant is already built to accept expansion; no modifications are needed later.

Each plant also comes with on-site startup assistance at no extra charge as part of CON-E-CO's ongoing commitment to your satisfaction.

If you were to purchase a plant that did *not* include these features and benefits, such installation "extras" could amount to tens of thousands of dollars *over and above* the initial cost of the batch plant itself.

Plus, you need to consider the expected life of the plant. The very first LO-PRO ever built is still in operation today!

When you see the total cost to produce that first yard, your hundred-thousandth yard, or your millionth yard of concrete, there is only one choice. And that's the best: the CON-E-CO LO-PRO.



NOTHING STACKS UP LIKE A LO-PRO!

237 North 13th Street • P.O. Box 430 • Blair, Nebraska 68008 • 402-426-4181 • Fax 402-426-4180

PROUD MEMBER OF



CON-E-CO®

An Oshkosh Truck Corporation Company

www.con-e-co.com

PRINTED IN U.S.A.

CON-E-CO®

An Oshkosh Truck Corporation Company



LO-PRO

concrete batch plant

CON-E-CO LO-PRO[®]

concrete batch plant



CON-E-CO'S LO-PRO[®]: INNOVATION AT WORK

Every yard of concrete your trucks deliver begins at the same place — your batch plant. Day in and day out, you depend on it to keep you in business.



Doesn't your heart deserve the best ... the CON-E-CO LO-PRO?

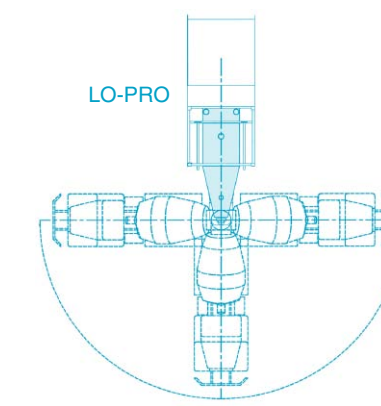
THE KEY TO PERFORMANCE

Innovative engineering is the key to the LO-PRO's unequalled performance. And it all begins with our patented, angled recirculating cement batcher.

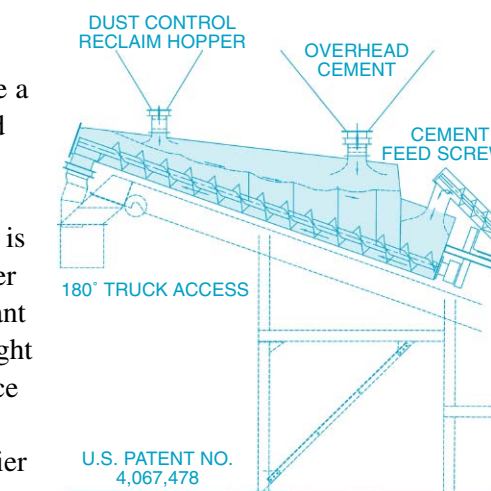
This design breakthrough enables the LO-PRO to produce a controlled, consistent, metered discharge and pre-blending of cement and fly ash.

But even more remarkable is the fact that this unique batcher design allows us to build a plant that maintains low overall height ... yet provides a high clearance at the truck discharging chute.

The low profile means easier materials handling. You may use shorter conveyors ... or even reach



180° TRUCK ACCESS



U.S. PATENT NO. 4,067,478

180° TRUCK ACCESS

OVERHEAD CEMENT

CEMENT FEED SCREWS

DUST CONTROL RECLAIM HOPPER

180° TRUCK ACCESS

produces a uniform discharge, unlike gravity type batchers.

UNITIZED STRENGTH

The angled, blending cement batcher also gave us the opportunity to construct the LO-PRO in an elongated, low profile design. And that in turn enabled us to manufacture the LO-PRO as a single, unitized structure!

This gives the LO-PRO far greater strength than hinged-style plants, both for transport and operation. Plus, no major tear-down and reassembly each time you move to new job sites!

FAST CHARGING

The CON-E-CO LO-PRO is one of the fastest charging ready-mix batch plants available. You know how important that can be when you need

your trucks out on the road at daybreak — not standing in line at the plant — and turning them around again later in the day.

Uniform, accurate, pre-blended materials feeding from live-bottom batchers enables the LO-PRO to charge your trucks as fast as they will allow! You can even control the rate of the plant to match that of the truck.

The LO-PRO's uniform, conveyor-belt feeding also creates a cleaner discharge,

reducing build-up (and maintenance costs) on your trucks. And it helps you produce more consistent, better quality concrete for your customers.

The CON-E-CO LO-PRO truly is a complete, engineered system!



CAPACITY

- 10- and 12-cubic-yard models available
- multiple bins and gates allow more configurations for flexible mix design
- oversized aggregate batchers
- available storage modules increase capacity to that of stationary plants

ON-SITE ADVANTAGES

- 180° access allows trucks to move in and out faster and safer
- low profile makes bins reachable by front loader
- conveyors and loaders may approach from either side
- circuit breakers instead of fuses save time
- low pressure, high volume blower aerates cements

EXPANDABILITY

- engineered and manufactured for easy, bolt-on expansion
- stores over 270 yards of aggregate
- multiple cement silos hold over 1400 total barrels
- bolt-on mixer dust control system

MOBILITY

- raises just 30 inches to set up
- hydraulic self-erect kit eliminates need for crane
- unitized construction, single weldment structure is stronger for shipment
- minimal site preparation required
- hinge-and-pin legs available for easier mobility

SPEED

- charges trucks faster than any comparable plants
- capacities from 150 to 300 yards per hour available
- live-bottom batchers allow uniform rate of discharge of all materials for faster, more precise charging

SAVINGS

- lower erection costs
- preplumbed, prewired
- minimal site preparation
- startup assistance included
- less time to start producing
- stainless steel electronic water meter improves accuracy, reduces maintenance